

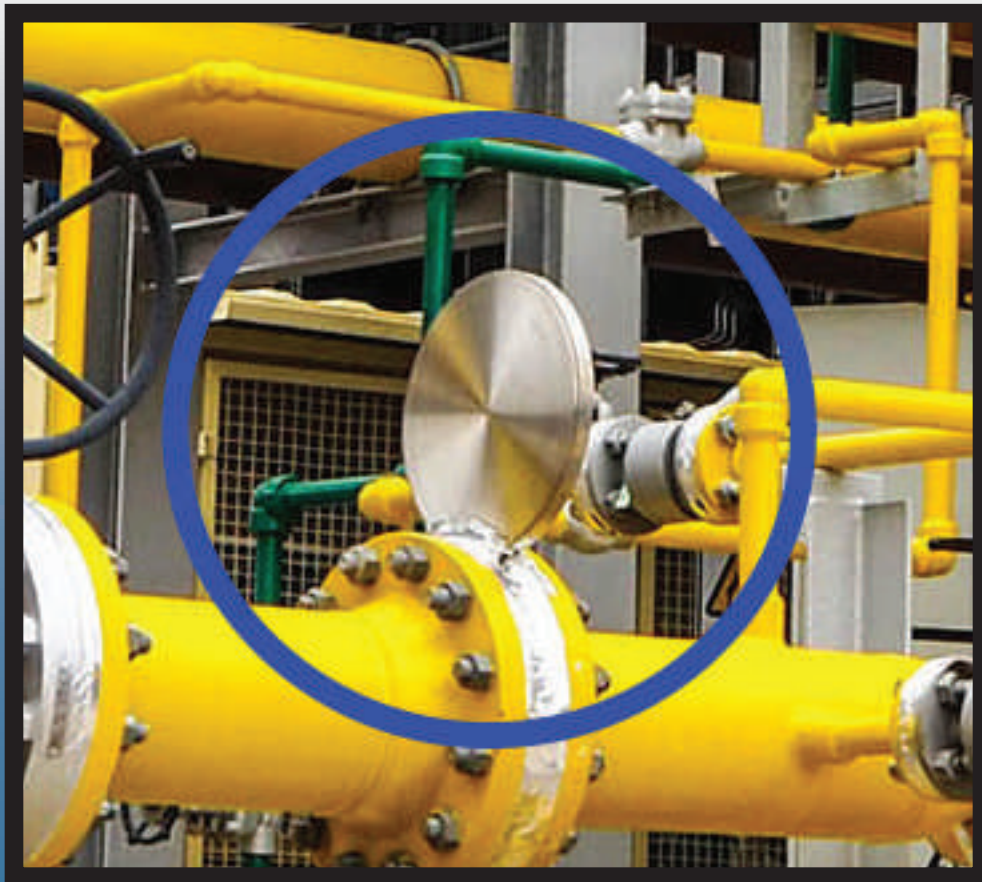


Line Blinds & Bleed Rings



*Line Blinds Isolate Equipment
or a Section of Pipe
Bleed Rings for Sampling or Draining*

Refining • Petrochemical • Pipeline



- Figure 8 Spectacle Blinds
- Paddle Blinds and Spacers
- Bleed Rings - Drip Rings
- Carbon Steel and Alloys
- Mill Finish, Machined Finish, RTJ

WINSTON / ROYAL GUARD CORPORATION



Line Blinds & Bleed Rings



Figure 8
Spectacle Blind



Figure 6B
Paddle Spacer



Figure 6A
Paddle Blind



Figure 7
Bleed Ring

Line blinds are installed between two flanges to isolate a section of piping between a valve and a pressure vessel, or other equipment, typically to block the product flow and provide safety for personnel during maintenance or item replacement.

The **Figure 8 blind, or spectacle blind**, is a one piece, or welded assembly, with a blank side and a spacer side. The location of the blind is easily recognizable in the piping system and whether the line is “open” or “blocked off”.

Figure 6A paddle blinds and **6B paddle spacers** are similar to the spectacle blind except they are made as two separate components, each having an identification handle which, when installed, will protrude from between the associated piping flanges. In some installations the two separate components may be easier to handle than a single figure 8 blind due to weight or dimensional constraints. Larger size blinds and spacers can be furnished with lifting rings.

The figure 7 bleed rings, or drip rings, are for permanent installation between two pipe flanges such that the line can be drained prior to servicing associated equipment. It can also be used for product sampling.

These items are available in:

- Mill finish
- Machined finish
- Female ring type joint (RTJ). A male RTJ design is not recommended due to the potential for damage to the machined facing during handling and installation.

Pressure ratings for the blinds and bleed rings are from 150# to 2500#. Dimensions conform to ASME B16.48.

Line blinds and bleed rings are available in many materials including:

- Carbon steel
- Stainless steels
- Various alloys



Line Blinds & Bleed Rings

Line Blinds - Female Ring Type Joint (RTJ)

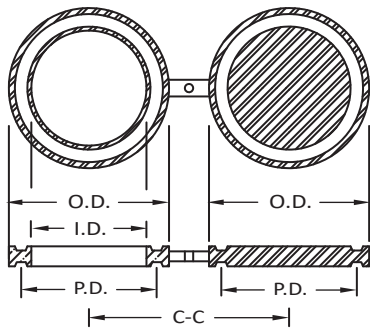


Figure 8 Spectacle Blind

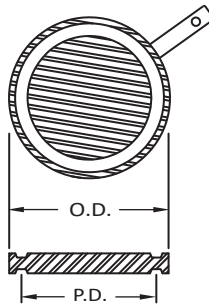


Figure 6A
Paddle Blind

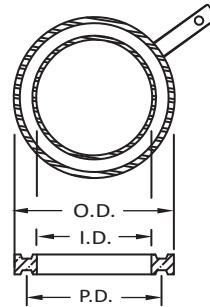
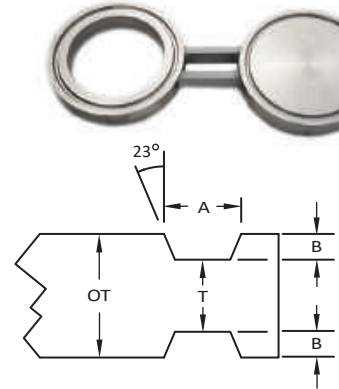


Figure 6B
Paddle Spacer



Nom. Pipe Size	150# Female RTJ								300# Female RTJ							
	I.D.	O.D.	C-C	P.D.	A	B	T	OT	I.D.	O.D.	C-C	P.D.	A	B	T	OT
1	1-1/4	2-1/2	4-1/2	1-7/8	11/32	1/4	1/4	3/4	1-1/4	2-3/4	5	2	11/32	1/4	1/4	3/4
1-1/2	1-7/8	3-1/4	5-1/2	2-9/16	11/32	1/4	1/4	3/4	1-7/8	3-9/16	6	2-11/16	11/32	1/4	3/8	7/8
2	2-3/8	4	6	3-1/4	11/32	1/4	1/4	3/4	2-3/8	4-1/4	7	3-1/4	15/32	5/16	3/8	1
2-1/2	2-7/8	4-3/4	7	4	11/32	1/4	3/8	7/8	2-7/8	5	8	4	15/32	5/16	1/2	1-1/8
3	3-1/2	5-1/4	8	4-1/2	11/32	1/4	3/8	7/8	3-1/2	5-3/4	8-1/2	4-7/8	15/32	5/16	1/2	1-1/8
4	4-1/2	6-3/4	9-1/2	5-7/8	11/32	1/4	3/8	7/8	4-1/2	6-7/8	10	5-7/8	15/32	5/16	5/8	1-1/4
6	6-5/8	8-5/8	11-1/2	7-5/8	11/32	1/4	1/2	1	6-5/8	9-1/2	12-1/2	8-5/16	15/32	5/16	3/4	1-3/8
8	8-5/8	10-3/4	14	9-3/4	11/32	1/4	5/8	1-1/8	8-5/8	11-7/8	15	10-5/8	15/32	5/16	1	1-5/8
10	10-3/4	13	16-1/2	12	11/32	1/4	3/4	1-1/4	10-3/4	14	18	12-3/4	15/32	5/16	1-1/8	1-3/4
12	12-3/4	16	19-1/2	15	11/32	1/4	7/8	1-3/8	12-3/4	16-1/4	20-1/2	15	15/32	5/16	1-3/8	2
14	14	16-3/4	21	15-5/8	11/32	1/4	7/8	1-3/8	14	18	22-1/2	16-1/2	15/32	5/16	1-1/2	2-1/8
16	16	19	23	17-7/8	11/32	1/4	1	1-1/2	16	20	25	18-1/2	15/32	5/16	1-5/8	2-1/4
18	18	21-1/2	25	20-3/8	11/32	1/4	1-1/8	1-5/8	18	22-5/8	27-1/2	21	15/32	5/16	1-3/4	2-3/8
20	20	23-1/2	28	22	11/32	1/4	1-1/8	1-5/8	20	25	30	23	17/32	3/8	2	2-3/4
24	24	28	32-1/2	26-1/2	11/32	1/4	1-3/8	1-7/8	24	29-1/4	35	27-1/4	21/32	7/16	2-1/4	3-1/8

Nominal Pipe Size	600# Female RTJ								900# Female RTJ							
	I.D.	O.D.	C-C	P.D.	A	B	T	OT	I.D.	O.D.	C-C	P.D.	A	B	T	OT
1	1-1/4	2-3/4	5	2	11/32	1/4	3/8	7/8	1-1/4	2-3/8	5-1/2	2	11/32	1/4	3/8	7/8
1-1/2	1-7/8	3-9/16	6	2-11/16	11/32	1/4	3/8	7/8	1-7/8	3-5/8	6-1/2	2-11/16	11/32	1/4	1/2	1
2	2-3/8	4-1/4	7	3-1/4	15/32	5/16	1/2	1-1/8	2-3/8	4-7/8	8	3-3/4	15/32	5/16	5/8	1-1/4
2-1/2	2-7/8	5	8	4	15/32	5/16	5/8	1-1/4	2-7/8	5-3/8	8-1/2	4-1/4	15/32	5/16	3/4	1-3/8
3	3-1/2	5-3/4	8-1/2	4-7/8	15/32	5/16	5/8	1-1/4	3-1/2	6-1/8	9	4-7/8	15/32	5/16	3/4	1-3/8
4	4-1/2	6-7/8	10-1/2	5-7/8	15/32	5/16	3/4	1-3/8	4-1/2	7-1/8	10-1/2	5-7/8	15/32	5/16	1	1-5/8
6	6-5/8	9-1/2	13-1/2	8-5/16	15/32	5/16	1-1/8	1-3/4	6-5/8	9-1/2	14	8-5/16	15/32	5/16	1-1/4	1-7/8
8	8-5/8	11-7/8	16	10-5/8	15/32	5/16	1-3/8	2	8-5/8	12-1/8	17	10-5/8	15/32	5/16	1-5/8	2-1/4
10	10-3/4	14	18-1/2	12-3/4	15/32	5/16	1-5/8	2-1/4	10-3/4	14-1/4	20	12-3/4	15/32	5/16	1-7/8	2-1/2
12	12-3/4	16-1/4	20-1/2	15	15/32	5/16	1-7/8	2-1/2	12-3/4	16-1/2	22	15	15/32	5/16	2-1/4	2-7/8
14	14	18	23	16-1/2	15/32	5/16	2	2-5/8	14	18-3/8	24	16-1/2	21/32	7/16	2-3/8	3-1/4
16	16	20	25-1/2	18-1/2	15/32	5/16	2-1/4	2-7/8	16	20-5/8	26	18-1/2	21/32	7/16	2-3/4	3-5/8
18	18	22-5/8	28	21	15/32	5/16	2-1/2	3-1/8	18	23-3/8	29	21	25/32	1/2	3	4
20	20	25	31	23	17/32	3/8	2-3/4	3-1/2	20	25-1/8	32	23	25/32	1/2	3-3/4	4-3/8
24	24	29-1/2	35	27-1/4	21/32	7/16	3-1/4	4-1/8	24	30-3/8	38	27-1/4	1-1/16	5/8	4	5-1/4

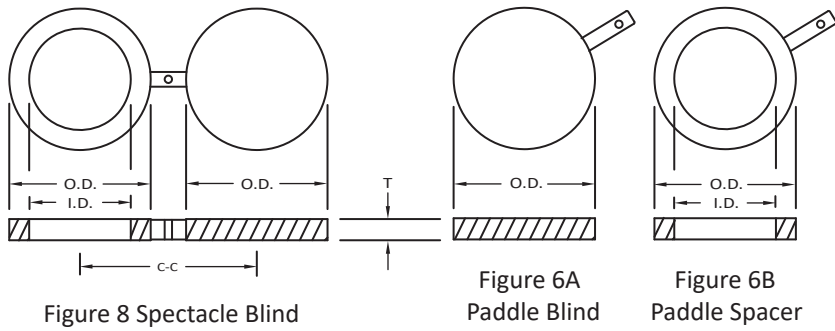
Nominal Pipe Size	1500# Female RTJ								2500# Female RTJ							
	I.D.	O.D.	C-C	P.D.	A	B	T	OT	I.D.	O.D.	C-C	P.D.	A	B	T	OT
1	1-1/4	2-13/16	5-1/2	2	11/32	1/4	1/2	1	1-1/4	3-1/4	6	2-3/8	11/32	1/4	5/8	1-1/8
1-1/2	1-7/8	3-5/8	6-1/2	2-11/16	11/32	1/4	5/8	1-1/8	1-7/8	4-1/2	7-1/2	3-1/4	15/32	5/16	3/4	1-3/8
2	2-3/8	4-7/8	8	3-3/4	15/32	5/16	3/4	1-3/8	2-3/8	5-1/4	8-1/2	4	15/32	5/16	1	1-5/8
2-1/2	2-7/8	5-3/8	8-1/2	4-1/4	15/32	5/16	7/8	1-1/2	2-7/8	5-7/8	9-1/2	4-3/8	17/32	3/8	1-1/8	1-7/8
3	3-1/2	6-5/8	10	5-3/8	15/32	5/16	1-1/8	1-3/4	3-1/2	6-5/8	11	5	17/32	3/8	1-1/4	2
4	4-1/2	7-5/8	11	6-3/8	15/32	5/16	1-1/4	1-7/8	4-1/2	8	12-1/2	6-3/16	21/32	7/16	1-5/8	2-1/2
6	6-5/8	9-3/4	14	8-5/16	17/32	3/8	1-5/8	2-3/8	6-5/8	11	17	9	25/32	1/2	2-1/4	3-1/4
8	8-5/8	12-1/2	17-1/2	10-5/8	21/32	7/16	2	2-7/8	8-5/8	13-3/8	20	11	29/32	9/16	2-3/4	3-7/8
10	10-3/4	14-5/8	20-1/2	12-3/4	21/32	7/16	2-3/8	3-1/4	10-3/4	16-3/4	24	13-1/2	1-3/16	11/16	3-1/4	4-5/8
12	12-3/4	17-1/4	24	15	29/32	9/16	2-7/8	4	12-3/4	19-1/2	27	16	1-5/16	11/16	3-7/8	5-1/4
14	14	19-1/4	25-1/2	16-1/2	1-1/16	5/8	3-1/8	4-3/8								
16	16	21-1/2	29	18-1/2	1-3/16	11/16	3-1/2	4-7/8								
18	18	24-1/5	32-1/2	21	1-3/16	11/16	3-7/8	5-1/4								
20	20	26-1/2	35-1/2	23	1-5/16	11/16	4-1/4	5-5/8								
24	24	31-1/4	42	27-1/4	1-7/16	13/16	5	6-5/8								

Dimensions are in inches



Line Blinds & Bleed Rings

Line Blinds - Mill and Machined Finish



SIZE	150#				300#				600#			
	I.D.	O.D.	C-C	T	I.D.	O.D.	C-C	T	I.D.	O.D.	C-C	T
1/2	5/8	1-3/4	4	1/8	5/8	2	4-1/2	1/4	5/8	2	4-1/2	1/4
3/4	7/8	2-1/8	4	1/8	7/8	2-1/2	4-1/2	1/4	7/8	2-1/2	4-1/2	1/4
1	1-1/8	2-1/2	4-1/2	1/8	1-1/8	2-3/4	5	1/4	1	2-3/4	5	1/4
1-1/4	1-5/8	2-7/8	5	1/4	1-5/8	3-1/8	5-1/2	1/4	1-3/8	3-1/8	5-1/2	3/8
1-1/2	1-7/8	3-1/4	5-1/2	1/4	1-7/8	3-5/8	6	1/4	1-5/8	3-5/8	6	3/8
2	2-3/8	4	6	1/4	2-3/8	4-1/4	6-1/2	3/8	2-1/8	4-1/4	6-1/2	3/8
2-1/2	2-7/8	4-3/4	7	1/4	2-7/8	5	7-1/2	3/8	2-5/8	5	7-1/2	1/2
3	3-1/2	5-1/4	8	1/4	3-1/2	5-3/4	8	3/8	3-1/4	5-3/4	8	1/2
3-1/2	4	6-1/4	9	3/8	4	6-3/8	9-1/2	1/2	3-3/4	6-1/4	10	5/8
4	4-1/2	6-3/4	9-1/2	3/8	4-1/2	7	10	1/2	4-1/4	7-1/2	11	5/8
5	5-1/2	7-5/8	10-1/2	3/8	5-1/2	8-3/8	12-1/2	5/8	5-3/8	9-3/8	13	3/4
6	6-5/8	8-5/8	11-1/2	1/2	6-5/8	9-3/4	13	5/8	6-3/8	10-3/8	14	7/8
8	8-5/8	10-7/8	14	1/2	8-5/8	12	15	7/8	8-3/8	12-1/2	16	1-1/8
10	10-3/4	13-1/4	17	5/8	10-3/4	14-1/8	17-1/2	1	10-3/8	15-5/8	20	1-3/8
12	12-3/4	16	19	3/4	12-3/4	16-1/2	21	1-1/8	12-3/8	17-5/8	22	1-5/8
14	14	17-5/8	21	3/4	14	19	23	1-1/4	13-5/8	19-1/4	24	1-3/4
16	16	20-1/8	24	7/8	16	21-1/8	26	1-1/2	15-5/8	22-1/8	27	2
18	18	21-1/2	26	1	18	23-3/8	28	1-5/8	17-5/8	24	29	2-1/8
20	20	23-3/4	28	1-1/8	20	25-5/8	31	1-3/4	19-1/2	26-3/4	32	2-1/2
24	24	28-1/8	33	1-1/4	24	30-3/8	36	2	23-1/2	31	36	2-7/8

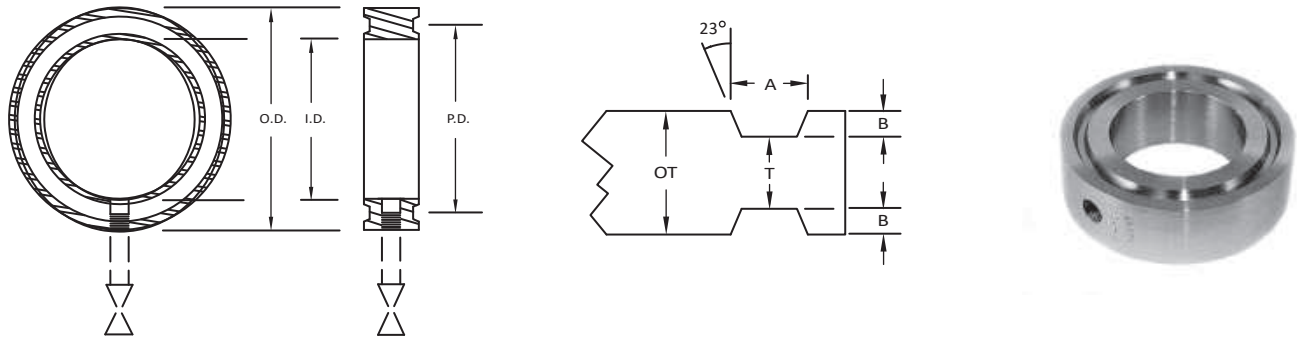
SIZE	900#				1500#				2500#			
	I.D.	O.D.	C-C	T	I.D.	O.D.	C-C	T	I.D.	O.D.	C-C	T
1/2	5/8	2-3/8	5	1/4	5/8	2-3/8	5	1/4	5/8	2-5/8	5-1/2	3/8
3/4	7/8	2-5/8	5	1/4	7/8	2-5/8	5	3/8	7/8	2-7/8	5-1/2	3/8
1	1	3	5-1/2	1/4	1	3	5-1/2	3/8	1	3-1/4	5-3/4	3/8
1-1/4	1-3/8	3-3/8	6	3/8	1-3/8	3-3/8	6	3/8	1-3/8	4	7	1/2
1-1/2	1-5/8	3-3/4	6-1/2	3/8	1-5/8	3-3/4	6-1/2	1/2	1-5/8	4-1/2	7-1/4	5/8
2	2-1/8	5-1/2	8	1/2	2	5-1/2	8	1/2	2	5-5/8	9	5/8
2-1/2	2-5/8	6-3/8	9	1/2	2-1/2	6-3/8	9	5/8	2-3/8	6-1/2	10	3/4
3	3-1/4	6-1/2	9	5/8	3	6-3/4	10	3/4	3	7-5/8	11-1/2	7/8
3-1/2												
4	4-1/4	8	11	3/4	4	8-1/8	11-1/2	7/8	4	9-1/8	12-1/2	1-1/8
5	5-1/4	9-5/8	15	7/8	5	9-7/8	15	1-1/8	5	10-7/8	17	1-3/8
6	6-3/8	11	15	1	6	11	15	1-3/8	6	12-3/8	18	1-5/8
8	8-3/8	14	18	1-3/8	8	13-3/4	18-1/2	1-5/8	7-7/8	15-1/8	20-1/2	2-1/8
10	10-3/8	17	21	1-5/8	10	17	22	2	9-3/4	18-5/8	25	2-5/8
12	12-3/8	19-1/2	24	1-7/8	12	20-3/8	25-1/2	2-3/8	11-3/8	21-1/2	28	3-1/8
14	13-5/8	20-3/8	25	2-1/8	13-1/8	22-5/8	28-1/2	2-5/8				
16	15-5/8	22-1/2	27-1/2	2-3/8	15	25-1/8	31	3				
18	17-5/8	25	30	2-5/8	16-7/8	27-5/8	34	3-3/8				
20	19-1/2	27-3/8	33	2-7/8	18-7/8	29-5/8	36-3/4	3-3/4				
24	23-1/2	23-1/2	39-1/2	3-1/2	22-5/8	35-3/8	43-1/4	4-3/8				

Dimensions are in inches



Line Blinds & Bleed Rings

Figure 7 Bleed Rings - Female Ring Type Joint (RTJ)



NOM. PIPE SIZE	150# Female RTJ							300# Female RTJ						
	I.D.	O.D.	P.D.	A	B	T	OT - 1/2" & 3/4" TAP	I.D.	O.D.	P.D.	A	B	T	OT - 1/2" & 3/4" TAP
1	1-1/8	2-1/2	1-7/8	11/32	1/4	1-5/8	2-1/8	1-1/4	2-3/4	2	11/32	1/4	1-5/8	2-1/8
1-1/2	1-3/4	3-1/4	2-9/16	11/32	1/4	1-5/8	2-1/8	1-7/8	3-9/16	2-11/16	11/32	1/4	1-5/8	2-1/8
2	2-1/4	4	3-1/4	11/32	1/4	1-5/8	2-1/8	2-3/8	4-1/4	3-1/4	15/32	5/16	1-5/8	2-1/4
2-1/2	2-5/8	4-3/4	4	11/32	1/4	1-5/8	2-1/8	2-7/8	5	4	15/32	5/16	1-5/8	2-1/4
3	3-1/4	5-1/4	4-1/2	11/32	1/4	1-5/8	2-1/8	3-1/2	5-3/4	4-7/8	15/32	5/16	1-5/8	2-1/4
4	4-1/4	6-3/4	5-7/8	11/32	1/4	1-5/8	2-1/8	4-1/2	6-7/8	5-7/8	15/32	5/16	1-5/8	2-1/4
6	6-1/4	8-5/8	7-5/8	11/32	1/4	1-5/8	2-1/8	6-5/8	9-1/2	8-5/16	15/32	5/16	1-5/8	2-1/4
8	8-1/4	10-7/8	9-3/4	11/32	1/4	1-5/8	2-1/8	8-5/8	11-7/8	10-5/8	15/32	5/16	1-5/8	2-1/4
10	10-1/4	13-1/4	12	11/32	1/4	1-5/8	2-1/8	10-3/4	14	12-3/4	15/32	5/16	1-5/8	2-1/4
12	12-1/4	16	15	11/32	1/4	1-5/8	2-1/8	12-3/4	16-1/4	15	15/32	5/16	1-5/8	2-1/4
14	13-1/2	17-5/8	15-5/8	11/32	1/4	1-5/8	2-1/8	14	18	16-1/2	15/32	5/16	1-5/8	2-1/4
16	15-1/2	20-1/8	17-7/8	11/32	1/4	1-5/8	2-1/8	16	20	18-1/2	15/32	5/16	1-5/8	2-1/4
18	18-1/2	21-1/2	20-3/8	11/32	1/4	1-5/8	2-1/8	18	22-5/8	21	15/32	5/16	1-5/8	2-1/4
20	20-1/2	23-3/4	22	11/32	1/4	1-5/8	2-1/8	20	25	23	17/32	3/8	1-5/8	2-3/8
24	24-1/2	28-1/8	26-1/2	11/32	1/4	1-5/8	2-1/8	24	29-1/4	27-1/4	21/32	7/16	1-5/8	2-1/2

NOM. PIPE SIZE	600# Female RTJ							900# Female RTJ						
	I.D.	O.D.	P.D.	A	B	T	OT - 1/2" & 3/4" TAP	I.D.	O.D.	P.D.	A	B	T	OT - 1/2" - 3/4" TAP
1	1-1/4	2-3/4	2	11/32	1/4	1-5/8	2-1/8	1-1/4	2-3/8	2	11/32	1/4	1-5/8	2-1/8
1-1/2	1-7/8	3-9/16	2-11/16	11/32	1/4	1-5/8	2-1/8	1-7/8	3-5/8	2-11/16	11/32	1/4	1-5/8	2-1/8
2	2-3/8	4-1/4	3-1/4	15/32	5/16	1-5/8	2-1/4	2-3/8	4-7/8	3-3/4	15/32	5/16	1-5/8	2-1/4
2-1/2	2-1/2	5	4	15/32	5/16	1-5/8	2-1/4	2-7/8	5-3/8	4-1/4	15/32	5/16	1-5/8	2-1/4
3	3-1/2	5-3/4	4-7/8	15/32	5/16	1-5/8	2-1/4	3-1/2	6-1/8	4-7/8	15/32	5/16	1-5/8	2-1/4
4	4-1/2	6-7/8	5-7/8	15/32	5/16	1-5/8	2-1/4	4-1/2	7-1/8	5-7/8	15/32	5/16	1-5/8	2-1/4
6	6-5/8	9-1/2	8-5/16	15/32	5/16	1-5/8	2-1/4	6-5/8	9-1/2	8-5/16	15/32	5/16	1-5/8	2-1/4
8	8-5/8	11-7/8	10-5/8	15/32	5/16	1-5/8	2-1/4	8-5/8	12-1/8	10-5/8	15/32	5/16	1-5/8	2-1/4
10	10-3/4	14	12-3/4	15/32	5/16	1-5/8	2-1/4	10-3/4	14-1/4	12-3/4	15/32	5/16	1-5/8	2-1/4
12	12-3/4	16-1/4	15	15/32	5/16	1-5/8	2-1/4	12-3/4	16-1/2	15	15/32	5/16	1-5/8	2-1/4
14	14	18	16-1/2	15/32	5/16	1-5/8	2-1/4	14	18-3/8	16-1/2	21/32	7/16	1-5/8	2-1/2
16	16	20	18-1/2	15/32	5/16	1-5/8	2-1/4	16	20-5/8	18-1/2	21/32	7/16	1-5/8	2-1/4
18	18	22-5/8	21	15/32	5/16	1-5/8	2-1/4	18	23-3/8	21	25/32	1/2	1-5/8	2-5/8
20	20	25	23	17/32	3/8	1-5/8	2-3/8	20	25-1/8	23	25/32	1/2	1-5/8	2-5/8
24	24	29-1/2	27-1/4	21/32	7/16	1-5/8	2-1/2	24	30-3/8	27-1/4	1-1/16	5/8	1-5/8	2-7/8

NOM. PIPE SIZE	1500# Female RTJ							2500# Female RTJ						
	I.D.	O.D.	P.D.	A	B	T	OT - 1/2" & 3/4" TAP	I.D.	O.D.	P.D.	A	B	T	OT - 1/2" & 3/4" TAP
1	1-1/4	2-13/16	2	11/32	1/4	1-5/8	2-1/8	1-1/4	3-1/4	2-3/8	11/32	1/4	1-5/8	2-1/8
1-1/2	1-7/8	3-5/8	2-11/16	11/32	1/4	1-5/8	2-1/8	1-7/8	4-1/2	3-1/4	15/32	5/16	1-5/8	2-1/4
2	2-3/8	4-7/8	3-3/4	15/32	5/16	1-5/8	2-1/4	2-3/8	5-1/4	4	15/32	5/16	1-5/8	2-1/4
2-1/2	2-7/8	5-3/8	4-1/4	15/32	5/16	1-5/8	2-1/4	2-7/8	5-7/8	4-3/8	17/32	3/8	1-5/8	2-3/8
3	3-1/2	6-5/8	5-3/8	15/32	5/16	1-5/8	2-1/4	3-1/2	6-5/8	5	17/32	3/8	1-5/8	2-3/8
4	4-1/2	7-5/8	6-3/8	15/32	5/16	1-5/8	2-1/4	4-1/2	8	6-3/16	21/32	7/16	1-5/8	2-1/2
6	6-5/8	9-3/4	8-5/16	15/32	3/8	1-5/8	2-3/8	6-5/8	11	9	25/32	1/2	1-5/8	2-5/8
8	8-5/8	12-1/2	10-5/8	21/32	7/16	1-5/8	2-1/2	8-5/8	13-3/8	11	29/32	9/16	1-5/8	2-3/4
10	10-3/4	14-5/8	12-3/4	21/32	7/16	1-5/8	2-1/2	10-3/4	16-3/4	13-1/2	1-3/16	11/16	1-5/8	3
12	12-3/4	17-1/4	15	29/32	9/16	1-5/8	2-3/4	12-3/4	19-1/2	16	1-5/16	11/16	1-5/8	3
14	14	19-1/4	16-1/2	1-1/16	5/8	1-5/8	2-7/8							
16	16	21-1/2	18-1/2	1-3/16	11/16	1-5/8	3							
18	18	24-1/8	21	1-3/16	11/16	1-5/8	3							
20	20	26-1/2	23	1-5/16	11/16	1-5/8	3							
24	24	31-1/4	27-1/4	1-7/16	13/16	1-5/8	3-1/4							

Dimensions are in inches



Line Blinds & Bleed Rings

Figure 7 Bleed Rings - Machined Finish

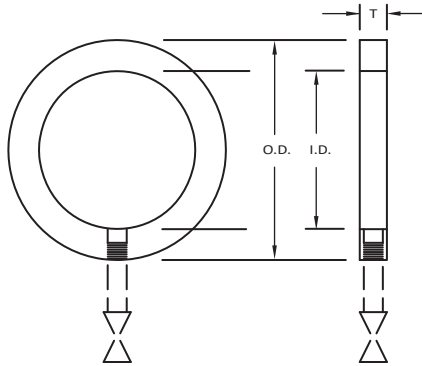


Fig 7 Bleed Rings with Machined finish



Nominal Pipe Size	150#				300#				600#			
	I.D.	O.D.	T - 1/2" & 3/4" Tap	T - 1" Tap	I.D.	O.D.	T - 1/2" - 3/4" TAP	T - 1" TAP	I.D.	O.D.	T - 1/2" & 3/4" Tap	T - 1" Tap
1/2	5/8	1-3/4	1-1/2	2-1/2	5/8	2	1-1/2	2-1/2	5/8	2	1-1/2	2-1/2
3/4	7/8	2-1/8	1-1/2	2-1/2	7/8	2-1/2	1-1/2	2-1/2	7/8	2-1/2	1-1/2	2-1/2
1	1-1/8	2-1/2	1-1/2	2-1/2	1-1/8	2-3/4	1-1/2	2-1/2	1-1/8	2-3/4	1-1/2	2-1/2
1-1/4	1-3/8	2-7/8	1-1/2	2-1/2	1-5/8	3-1/8	1-1/2	2-1/2	1-5/8	3-1/8	1-1/2	2-1/2
1-1/2	1-3/4	3-1/4	1-1/2	2-1/2	1-3/4	3-5/8	1-1/2	2-1/2	1-3/4	3-5/8	1-1/2	2-1/2
2	2-1/4	4	1-1/2	2-1/2	2-1/4	4-1/4	1-1/2	2-1/2	2-1/4	4-1/4	1-1/2	2-1/2
2-1/2	2-5/8	4-3/4	1-1/2	2-1/2	2-5/8	5	1-1/2	2-1/2	2-5/8	5	1-1/2	2-1/2
3	3-1/4	5-1/4	1-1/2	2-1/2	3-1/4	5-3/4	1-1/2	2-1/2	3-1/4	5-3/4	1-1/2	2-1/2
4	4-1/4	6-3/4	1-1/2	2-1/2	4-1/4	7	1-1/2	2-1/2	4-1/4	7-1/2	1-1/2	2-1/2
5	5-1/4	7-5/8	1-1/2	2-1/2	5-1/4	8-3/8	1-1/2	2-1/2	5-1/4	9-3/8	1-1/2	2-1/2
6	6-1/4	8-5/8	1-1/2	2-1/2	6-1/4	9-3/4	1-1/2	2-1/2	6-1/4	10-3/8	1-1/2	2-1/2
8	8-1/4	10-7/8	1-1/2	2-1/2	8-1/4	12	1-1/2	2-1/2	8-1/4	12-1/2	1-1/2	2-1/2
10	10-1/4	13-1/4	1-1/2	2-1/2	10-1/4	14-1/8	1-1/2	2-1/2	10-1/4	15-5/8	1-1/2	2-1/2
12	12-1/4	16	1-1/2	2-1/2	12-1/4	16-1/2	1-1/2	2-1/2	12-1/4	17-5/8	1-1/2	2-1/2
14	13-1/2	17-5/8	1-1/2	2-1/2	13-1/2	19	1-1/2	2-1/2	13-1/2	19-1/4	1-1/2	2-1/2
16	15-1/2	20-1/8	1-1/2	2-1/2	15-1/2	21-1/8	1-1/2	2-1/2	15-1/2	22-1/8	1-1/2	2-1/2
18	18-1/2	21-1/2	1-1/2	2-1/2	18-1/2	23-3/8	1-1/2	2-1/2	18-1/2	24	1-1/2	2-1/2
20	20-1/2	23-3/4	1-1/2	2-1/2	20-1/2	25-5/8	1-1/2	2-1/2	20-1/2	26-3/4	1-1/2	2-1/2
24	24-1/2	28-1/8	1-1/2	2-1/2	24-1/2	30-3/8	1-1/2	2-1/2	24-1/2	31	1-1/2	2-1/2

Nominal Pipe Size	900#				1500#			
	I.D.	O.D.	T - 1/2" & 3/4" Tap	T - 1" Tap	I.D.	O.D.	T - 1/2" & 3/4" Tap	T - 1" Tap
1/2	5/8	2-3/8	1-1/2	2-1/2	5/8	2-3/8	1-1/2	2-1/2
3/4	7/8	2-5/8	1-1/2	2-1/2	7/8	2-5/8	1-1/2	2-1/2
1	1-1/8	3	1-1/2	2-1/2	1-1/8	3	1-1/2	2-1/2
1-1/4	1-5/8	3-3/8	1-1/2	2-1/2	1-5/8	3-3/8	1-1/2	2-1/2
1-1/2	1-3/4	3-3/4	1-1/2	2-1/2	1-3/4	3-3/4	1-1/2	2-1/2
2	2-1/4	5-1/2	1-1/2	2-1/2	2-1/4	5-1/2	1-1/2	2-1/2
2-1/2	2-5/8	6-3/8	1-1/2	2-1/2	2-5/8	6-3/8	1-1/2	2-1/2
3	3-1/4	6-1/2	1-1/2	2-1/2	3-1/4	6-3/4	1-1/2	2-1/2
4	4-1/4	8	1-1/2	2-1/2	4-1/4	8-1/8	1-1/2	2-1/2
5	5-1/4	9-5/8	1-1/2	2-1/2	5-1/4	9-7/8	1-1/2	2-1/2
6	6-1/4	11	1-1/2	2-1/2	6-1/4	11	1-1/2	2-1/2
8	8-1/4	14	1-1/2	2-1/2	8-1/4	13-3/4	1-1/2	2-1/2
10	10-1/4	17	1-1/2	2-1/2	10-1/4	17	1-1/2	2-1/2
12	12-1/4	19-1/2	1-1/2	2-1/2	12-1/4	20-3/8	1-1/2	2-1/2
14	13-1/2	20-3/8	1-1/2	2-1/2	13-1/2	22-5/8	1-1/2	2-1/2
16	15-1/2	22-1/2	1-1/2	2-1/2	15-1/2	25-1/8	1-1/2	2-1/2
18	18-1/2	25	1-1/2	2-1/2	18-1/2	27-5/8	1-1/2	2-1/2
20	20-1/2	27-3/8	1-1/2	2-1/2	20-1/2	29-5/8	1-1/2	2-1/2
24	24-1/2	32-7/8	1-1/2	2-1/2	24-1/2	35-3/8	1-1/2	2-1/2

Dimensions are in inches

Specifications are subject to change without notice. 8-10-2021 (supersedes 2-28-2018)

WINSTON / ROYAL GUARD CORPORATION

P. O. Box 1145 • White Oak, Texas 75693 USA

Phone (800) 527-8465 • (903) 757-7341 • Fax (903) 759-6986

Winston-RoyalGuard.com • e-mail: sales@winston-royalguard.com

Copyright © 2021 Winston/Royal Guard Corporation. All rights reserved